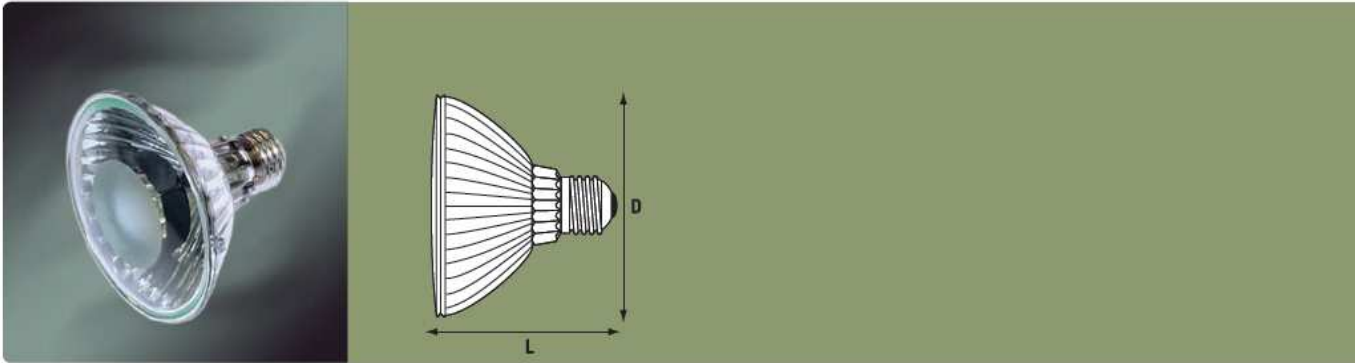


PAR30 Anti-Glare Halogen PAR Lamps

High visual comfort with anti-glare shield, reduce direct visual exposure



- Other wattages : 35W, 45W, 60W, 90W available on request
- Conforms to EN60432-2/EN60357 requirements with double protection fuse
- Self-shielded feature allows free burning in open fixtures – conforms to EN60598 safety requirements
- Front hard glass lens cuts UV radiation



Lamp Code	Voltage (V)	Wattage (W)	Intensity (cd)		Base	Diameter D (mm)	Length L (mm)
			Spot	Flood			
PAR30/50W/AG	120 / 130	50	3800	1250	E26	95	90
PAR30/75W/AG	120 / 130	75	6200	1900	E26	95	90
PAR30/75W/AG	230 / 240	75	6200	1900	E27	95	92
PAR30/100W/AG	230 / 240	100	8500	2800	E27	95	92

KANDOLite®